

*Note the receptacles and the concrete slab should be prepared and fully cured before the Rok is unpackaged.

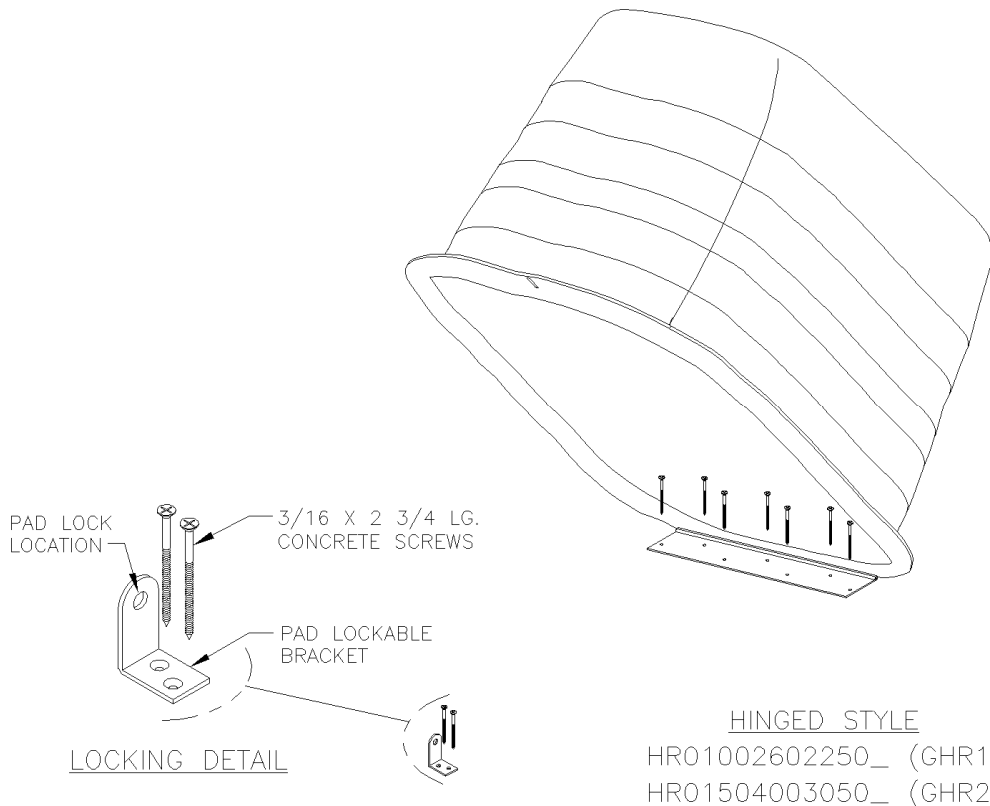
Lift Off Installation:

1. Position the Rok over the equipment and the receptacles (if heat is required).
2. Place the pad lockable brackets into the anchor bracket slots on the Rok flange and mark the location.
3. Remove the Rok. Drill 5/32" diameter holes x 3" deep with the supplied bit. Attach both pad lockable brackets with the supplied 3/16 x 2 3/4 long concrete screws.
4. Wrap the heat tape in a spiral or straight line (depending on length) about the pipe risers and backflow device. Avoid overlapping the heat tape. Secure heat tape on 12" centers using only glass cloth tape or plastic cable ties. Restrain the plug end of the cord to provide proper strain relief and plug into a G.F.I. protected receptacle.
5. Attach a padlock (not included) to each bracket to secure.

Warning! A ground fault circuit interrupting device shall be installed in the electrical supply circuit to the heater(s). Failure to do so may result in injury or death. The interior of this enclosure is a damp location. Contractors other than Hot Box are responsible for the installation of the G.F.I. protected service and receptacles. When multiple heaters are required it is recommended that each heat trace tape be on separate 15 amp circuits so in the event a circuit fails, all other circuits will remain powered. All installations to be in accordance with the local and national codes.

Hot Box
3621 Industrial Park Drive
Lenoir City, TN 37771

Contact Information
Phone: (800) 346-3062
hotboxsales@hubbell.com
www.hot-box.com



*Note the receptacle and the concrete slab should be prepared and fully cured before the Rok is unpackaged.

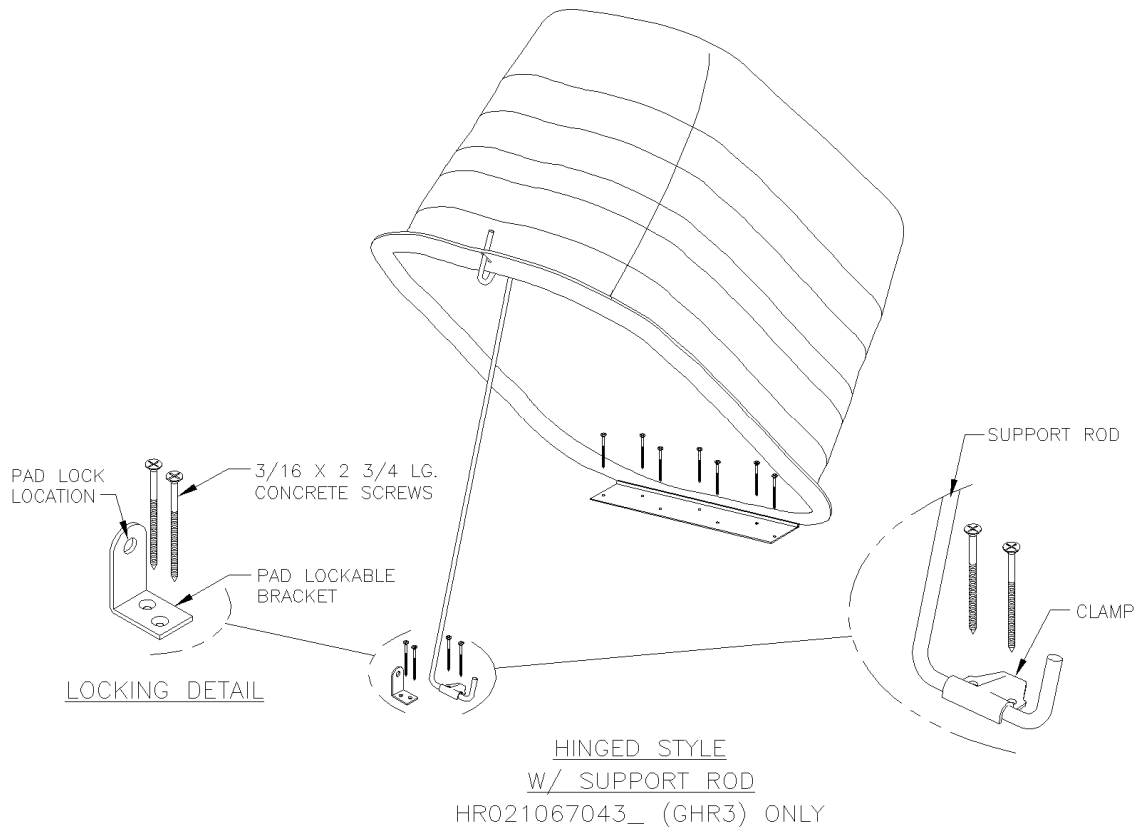
Hinged Installation:

1. Position the Rok over the equipment and the receptacles (if heat is required).
2. Mark the hinge holes and drill 5/32" diameter holes x 3" deep with the supplied bit. Attach the hinge with the supplied 3/16 x 2 3/4 long concrete screws.
3. Place the pad lockable bracket into the anchor bracket slots. Mark and drill 5/32" diameter holes x 3" deep with the supplied bit. Attach with the supplied 3/16 x 2 3/4 long concrete screws.
4. Wrap the heat tape in a spiral or straight line (depending on length) about the pipe risers and backflow device. Avoid overlapping the heat tape. Secure heat tape on 12" centers using only glass cloth tape or plastic cable ties. Restrain the plug end of the cord to provide proper strain relief and plug into a G.F.I. protected receptacle.
5. Attach a padlock (not included) to the bracket to secure.

Warning! A ground fault circuit interrupting device shall be installed in the electrical supply circuit to the heater(s). Failure to do so may result in injury or death. The interior of this enclosure is a damp location. Contractors other than Hot Box are responsible for the installation of the G.F.I. protected service and receptacles. When multiple heaters are required it is recommended that each heat trace tape be on separate 15 amp circuits so in the event a circuit fails, all other circuits will remain powered. All installations to be in accordance with the local and national codes.

Hot Box
3621 Industrial Park Drive
Lenoir City, TN 37771

Contact Information
Phone: (800) 346-3062
hotboxsales@hubbell.com
www.hot-box.com



*Note the receptacle and the concrete slab should be prepared and fully cured before the Rok is unpackaged.

Hinged with support rod Installation:

1. Position the Rok over the equipment and the receptacles (if heat is required).
2. Mark the hinge holes and drill 5/32" diameter holes x 3" deep with the supplied bit. Attach the hinge with the supplied 3/16 x 2 3/4 long concrete screws.
3. Place the pad lockable bracket into the anchor bracket slots. Mark and drill 5/32" diameter holes x 3" deep with the supplied bit. Attach with the supplied 3/16 x 2 3/4 long concrete screws.
4. Position the support rod (as needed) making sure the rod and clamp will fold into the Rok when closed. Mark and drill 5/32" diameter holes x 3" deep with the supplied bit. Attach with the supplied 3/16 x 2 3/4 long concrete screws.
5. Wrap the heat tape in a spiral or straight line (depending on length) about the pipe risers and backflow device. Avoid overlapping the heat tape. Secure heat tape on 12" centers using only glass cloth tape or plastic cable ties. Restrain the plug end of the cord to provide proper strain relief and plug into a G.F.I. protected receptacle.
6. Attach a padlock (not included) to the bracket to secure.

Warning! A ground fault circuit interrupting device shall be installed in the electrical supply circuit to the heater(s). Failure to do so may result in injury or death. The interior of this enclosure is a damp location. Contractors other than Hot Box are responsible for the installation of the G.F.I. protected service and receptacles. When multiple heaters are required it is recommended that each heat trace tape be on separate 15 amp circuits so in the event a circuit fails, all other circuits will remain powered. All installations to be in accordance with the local and national codes.

Hot Box
3621 Industrial Park Drive
Lenoir City, TN 37771

Contact Information
Phone: (800) 346-3062
hotboxsales@hubbell.com
www.hot-box.com